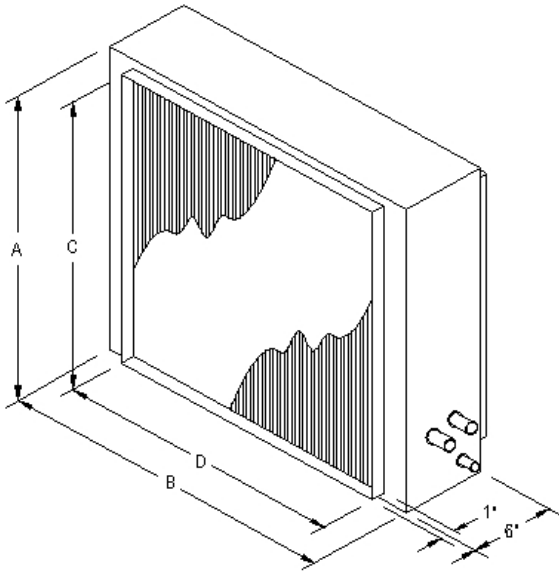


# H<sub>2</sub>O COIL

01.22.2009

## ACW Series Cased Chilled Water Coils



- Simple Installation
- Excellent Performance
- Painted Steel Casing
- Sloped Drain Pan
- Sweat Connections

MODEL	A	B	C	D	I/O	Drain
ACW-07	15-3/8	17-3/4	13-1/2	16	5/8	5/8
ACW-09	18	21	16 1/8	19 1/8	7/8	5/8
ACW-10	20	22 1/2	18 1/8	20 3/8	7/8	5/8
ACW-12	23	27	21 1/8	25 1/8	7/8	5/8
ACW-15	28	33 1/2	25 1/8	30 5/8	7/8	5/8

CFM	300		375		450		525		600		675		750	
SP "WG	0.09		0.13		0.17		0.22		0.28		0.34		0.41	
EAT °F	ACW-07 Total Cooling Capacity (Sensible) - MBH - Based on 4 U.S. gpm - Pressure drop - 3.0 Ft w.g.													
42	14.20	(9.40)	16.20	(11.00)	17.90	(12.40)	19.50	(13.80)	20.80	(15.10)	21.90	(16.30)	22.80	(17.40)
45	12.60	(8.70)	14.40	(10.20)	15.80	(11.60)	17.30	(13.00)	18.50	(14.20)	19.40	(15.30)	20.30	(16.40)
48	11.00	(8.00)	12.60	(9.50)	13.80	(10.80)	15.10	(12.10)	16.10	(13.30)	17.00	(14.40)	17.70	(15.50)

CFM	400		500		600		700		800		900		1000	
SP "WG	0.09		0.13		0.17		0.22		0.28		0.34		0.41	
EAT °F	ACW-09 Total Cooling Capacity (Sensible) - MBH - Based on 5 U.S. gpm - Pressure drop - 2.6 Ft w.g.													
42	18.90	(12.50)	21.60	(14.60)	18.60	(14.40)	26.00	(18.50)	27.70	(20.20)	29.20	(21.70)	30.40	(23.20)
45	16.80	(11.60)	19.20	(13.60)	21.20	(15.50)	23.10	(17.30)	24.60	(18.40)	25.90	(20.50)	27.00	(21.90)
48	14.70	(10.70)	16.80	(12.60)	18.50	(14.40)	20.20	(16.20)	21.50	(17.70)	22.60	(19.20)	23.60	(20.60)

CFM	500		600		700		800		900		1000		1100	
SP "WG	0.09		0.12		0.16		0.20		0.25		0.30		0.35	
EAT °F	ACW-10 Total Cooling Capacity (Sensible) - MBH - Based on 6 U.S. gpm - Pressure drop - 2.8 Ft w.g.													
42	23.50	(15.50)	26.20	(17.60)	28.50	(19.60)	30.80	(21.60)	32.60	(23.30)	34.20	(25.00)	35.70	(26.50)
45	20.90	(14.40)	23.20	(16.40)	25.30	(18.30)	27.40	(20.20)	29.00	(21.90)	30.40	(23.50)	31.70	(25.00)
48	18.20	(13.30)	20.30	(15.20)	22.10	(19.00)	23.90	(18.80)	25.30	(20.50)	26.50	(22.00)	26.70	(23.50)

CFM	700		850		1000		1150		1300		1450		1600	
SP "WG	0.08		0.12		0.15		0.19		0.21		0.22		0.24	
EAT °F	ACW-12 Total Cooling Capacity (Sensible) - MBH - Based on 7 U.S. gpm - Pressure drop - 3.6 Ft w.g.													
42	32.80	(21.70)	37.00	(25.00)	40.70	(28.00)	43.40	(30.70)	45.80	(33.20)	47.90	(35.60)	49.70	(37.80)
45	29.10	(20.10)	32.90	(23.30)	36.10	(26.20)	38.60	(28.80)	40.70	(31.20)	42.50	(33.50)	44.00	(35.60)
48	25.40	(18.60)	28.70	(21.60)	31.60	(24.40)	33.70	(26.80)	33.60	(29.20)	37.10	(31.40)	38.50	(33.50)

CFM	1500		1600		1700		1800		1900		2000		2100	
SP "WG	0.14		0.15		0.17		0.19		0.21		0.22		0.24	
EAT °F	ACW-15 Total Cooling Capacity (Sensible) - MBH - Based on 8 U.S. gpm - Pressure drop - 5.0 Ft w.g.													
42	59.00	(41.30)	60.60	(43.00)	62.00	(44.60)	63.20	(46.20)	64.40	(47.70)	65.50	(49.20)	66.50	(50.60)
45	52.40	(38.60)	53.80	(40.20)	55.00	(41.80)	56.10	(43.40)	57.20	(44.90)	58.20	(46.30)	59.00	(47.70)
48	45.80	(36.00)	47.00	(37.60)	48.10	(39.10)	49.10	(40.60)	50.00	(42.10)	50.80	(43.50)	51.60	(45.00)

Performance data based on EAT 80° DB / 67° WB