

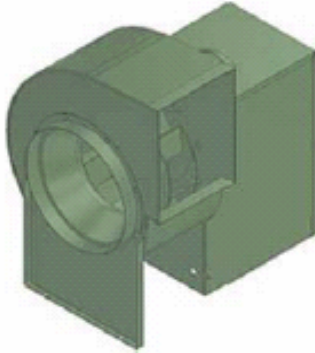


Utility Fans

AIR ZÖE

'HBI' & 'HBI-RM' Series Belt Drive Utility Blowers

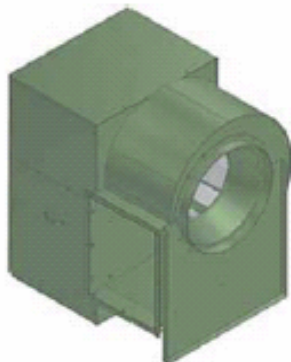
H2O COIL Inc. certifies that the HBI Series shown herein are licensed to bear the AMCA Seal. The ratings shown are based on tests and procedures performed in accordance with AMCA Publications 211 and comply with the requirements of the AMCA Certified Ratings Programme.



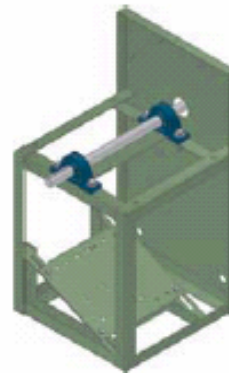
HBI-10 to HBI-27
(Standard Top
Horizontal Discharge)

Common Features of HBI Series:

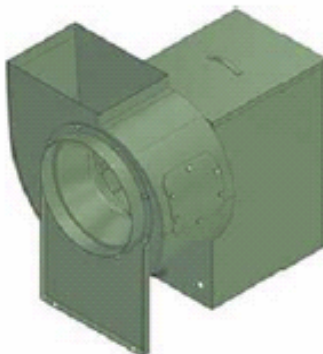
- Full AMCA Class 1 Operation
- Non-overloading backward inclined (BI) welded wheels
- Aluminum wheel - (AMAC type B classification for spark resistant construction) - available as an option
- Discharge position can be field rotated
- Counter Clock Wise rotation is standard. Clock Wise available
- Outlet flanges on models HBI-24 to HBI-36
- Temperature Ratings - without a heat slinger 250° F with a heat slinger, steel wheel 400° F, aluminum wheel 300° F
- Motor access from 3 sides
- Sloped motor base for ease of motor installation



HBI-30 to HBI-36
(Standard Bottom
Horizontal Discharge)



'HBI' & 'HBI-RM' motor and drive compartment
(cover removed to illustrate 3 side motor access and sloped motor base for belt tensioning)



HBI-RM (All Sizes)
UL 762 Listed for removal
of cooking vapours

HBI-RM Features:

- UL 762 Listed for removal of cooking vapours
- Meets NFPA 96 guidelines
- Upblast discharge directs exhaust away from roof
- Integral handles for single person removal of motor and drive compartment cover
- Continuously welded 16 gauge or heavier blower housing
- Bolted clean out door
- 2" drain for easy removal of cleaning solutions
- Complete range of sizes from 10" to 36"
- Vinyl shaft seal

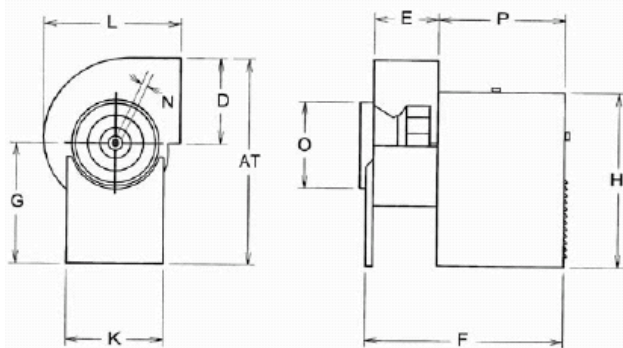
H2O COIL Inc.

3514 Hargale Rd., Oceanside, NY 11572 Tel: (516) 256-3131 Fax: (516) 599-2000

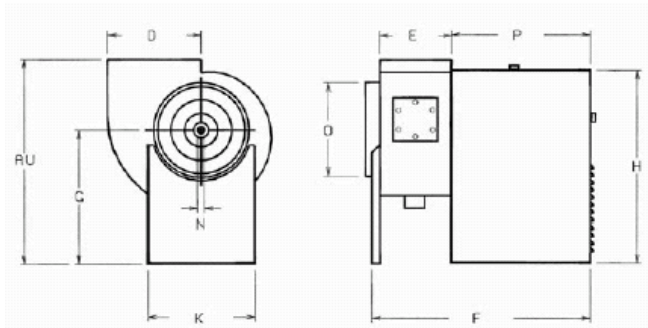


Utility Fans

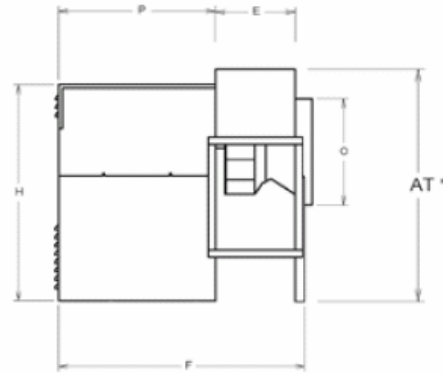
AIR ZÖE



HBI-10 to HBI-27
(Standard Top
Horizontal Discharge)



HBI-RM (All Sizes)
UL 762 Listed for removal
of cooking vapours



HBI-30 to HBI-36
(Standard Bottom
Horizontal Discharge)

Dimensions (inches)		Outlet		*No Leg on HBI-10		#Cabinet Width		Shaft Dia.	Inlet				
Model	AT	AU	D	E	F	G	H	# K	L	N	O	P	Unit Wt. (Lbs.)
BI-10	26-3/4	23-5/8	11-5/16	8-1/4	*	15-1/4	21-5/16	13-3/16	17-3/8	3/4	11	17-1/4	78
BI-12	33-1/16	30-1/16	13	9-7/8	33-1/4	20-1/16	29-1/8	16-9/16	20-1/2	1	12-7/16	21-1/8	112
BI-13	34-5/16	30-13/16	14-3/8	10-3/4	34-1/8	20-1/16	29-1/8	16-9/16	22-1/2	1	14-3/8	21-1/8	134
BI-15	35-13/16	31-13/16	15-3/4	12	35-3/8	20-1/16	29-1/8	16-9/16	24-11/16	1	15-7/8	21-1/8	140
BI-16	39-3/8	34-11/16	17-5/8	13-1/8	36-1/2	22	31	16-9/16	26-7/8	1-3/16	17-3/8	21-1/8	162
BI-18	41-1/4	35-13/16	19-3/8	14-1/2	37-7/8	22	31	16-9/16	29-5/8	1-3/16	19-3/8	21-1/8	172
BI-20	49-1/8	42-15/16	21-1/4	15-3/4	46-7/16	28	40-7/8	25-1/4	32-1/4	1-3/16	21-1/4	27-11/16	289
BI-22	51-1/2	44-3/8	23-5/8	17-5/8	48-5/16	28	40-7/8	25-1/4	35-5/8	1-3/16	23-5/8	27-11/16	322
BI-24	57-7/8	49-13/16	26	19-3/8	51-5/16	32	46-1/2	28-15/16	39	1-7/16	26	28-15/16	385
BI-27	60-1/2	51-7/16	28-5/8	21-1/4	53-3/16	32	46-1/2	28-15/16	42-3/4	1-7/16	28-5/8	28-15/16	411
BI-30	65-15/16	68-3/16	31-3/4	23-5/8	57-5/8	43-5/16	64-3/4	43-3/8	50-3/4	1-11/16	31-3/4	32	517
BI-33	68-3/16	68-9/16	34-7/8	26	60	43-5/16	64-3/4	43-3/8	53-3/4	1-11/16	35	32	607
BI-36	70-15/16	68-15/16	38-5/8	28-3/4	62-3/4	43-7/16	64-3/4	43-3/8	57	1-15/16	38-3/4	32	747

H₂O COIL Inc.

3514 Hargale Rd., Oceanside, NY 11572 Tel: (516) 256-3131 Fax: (516) 599-2000



Utility Fans

AIR ZOE

'HBI' Series Performance Table

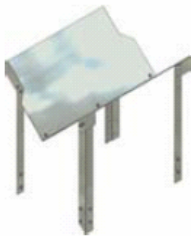
Model	Typical Maximum CFM @ SP					Max HP
	1" SP	2" SP	3" SP	4" SP	5" SP	
BI-10	2300	2100	1700	1500	1300	2
BI-12	3300	3000	2700	2400	2000	3
BI-13	4000	3700	3400	3000	2600	5
BI-15	4900	4600	4300	3700	3400	5
BI-16	5800	5400	4900	4300	3700	7-1/2
BI-18	7300	6800	6200	5600	4700	7-1/2
BI-20	8500	8000	7200	6500	5200	7-1/2
BI-22	10000	9700	9100	7900	6700	10
BI-24	13000	12000	11000	10000	8000	15
BI-27	16000	15000	14000	12500	11000	15
BI-30	18000	1700	16000	14000	12000	15
BI-33	23000	21000	19000	17000	15000	20
BI-36	28000	26000	24000	22000	19000	25

Power rating (BHP) does not include transmission losses. Performance certified is for installation type B: Free inlet, Ducted outlet. Performance ratings do not include the effect of appurtenances (accessories).

CFM values listed above are summarized for convenience.

For full performance CFM & SP consult H2O COIL Inc. Engineering Staff for your application.

Optional Accessories



'V' Cap



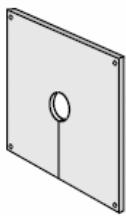
Bolted Clean Out Door



Heat Slinger



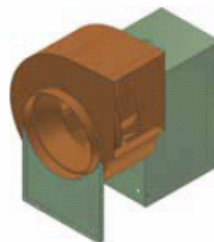
Vibration Isolators Rubber



Shaft Seal



Vibration Isolation Spring



Heresite Coating

Additional Optional Accessories:

- Aluminum wheel
- Back draft dampers
- Inlet & outlet screens
- Clean out door
- 2" drain fitting

H2O COIL Inc.

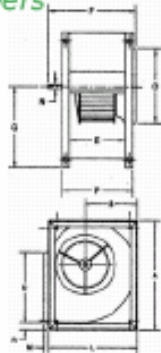
3514 Hargale Rd., Oceanside, NY 11572 Tel: (516) 256-3131 Fax: (516) 599-2000



Utility Fans

AIR ZOE

'Z400' & 'Z600' Series Belt Drive Utility Blowers



Features:

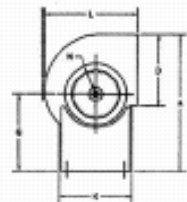
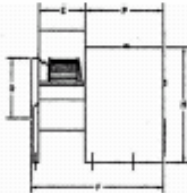
- Universal frame allows for choice of discharge position
- Multiple choice for motor mounting location with each discharge position
- Motor mounting hardware supplied with models Z407 to Z418. Optional platform for models Z420 to Z425
- Keywayed shafts
- Spider bearing brackets for models Z407 - Z418, Pillow block with T bar support for models Z420, Z422 & Z425
- Ball bearings suitable for -65° to + 250° F
- Optional back draft dampers, inlet & outlet screens and belt guards

Dimensions (inches)

Model	A	B	D	E	F	G	L	M	N	O	P	R	UNIT WT. (LBS.)	Performance Data					Max HP
														Typical Maximum CFM @ SP					
														1/2"	1"	1-1/2"	2"	2-1/2"	
407	14-1/4	6-1/2	8-3/8	6-7/8	11-5/8	8-5/8	11-3/4	3/4	3/4	9	9	1-1/2	16	1000	900	800	700	500	1
409	17-1/4	7-15/16	10-1/4	9-3/16	13-15/16	10-1/8	14-1/2	3/4	3/4	10	11-5/16	1-1/2	23	2100	2000	1900	1850	1750	2
410	19-1/8	9	11-3/8	9-3/16	13-15/16	11-1/4	16-1/4	3/4	3/4	12	11-5/16	1-1/2	26	2600	2400	2300	2150	2050	2
412	22-1/4	10-9/16	13-1/2	9-3/16	13-15/16	13	19	3/4	3/4	14	11-5/16	1-1/2	30	3250	3000	2850	2700	2600	2
415	29-3/4	14-3/4	17	12-1/2	17-3/8	18-1/8	25-1/4	3/4	1	17	14-3/4	1-1/2	56	5260	4850	4500	4150	3550	3
418	30-3/4	14-15/16	18-7/8	14	20-3/8	17-3/4	26-1/2	3/4	1	18	17-1/4	1-1/2	87	6700	6300	5950	5550	5200	5
420	38	18-5/16	24-3/4	15-3/4	24-1/4	22-9/16	31-1/4	1-1/2	1-3/16	21	19-3/4	2	189	9300	8850	8500	8000	7700	7-1/2
422	41-1/2	20-1/16	27-1/4	17-1/8	25-5/8	24-5/8	34-1/4	1-1/2	1-3/16	22-1/2	21-1/8	2	214	10300	9750	9200	8600	8000	7-1/2
425	46-3/4	22-5/8	31-1/4	19-5/8	28-1/8	27-3/4	38-3/8	1-1/2	1-3/16	26-3/4	23-5/8	2	252	14300	13400	12550	11850	11400	10



'Z600' Series



Features continued:

- Standard, vented motor and drive compartment cover for safety and weather protection
- Sliding motor base for belt tension adjustment
- Standard top horizontal discharge position can be easily rotated to any of 8 positions
- Keywayed shaft

Optional Accessories:

- Corrosion resistant finishes
- Back draft dampers
- Inlet & outlet screens
- Clean out door
- Heat slinger
- 2" Drain fitting



H2O Coil Inc. certifies that the Z600 Series shown herein are licensed to bear the AMCA Seal. The ratings shown are based on tests and procedures performed in accordance with AMCA Publications 211 and comply with the requirements of the AMCA Certified Ratings Programme.

Dimensions (inches)

Model	A	D	E	F	G	H	K	L	N	O	P	UNIT WT. (LBS.)	Performance Data					Max HP
													Typical Maximum CFM @ SP					
													1/2"	1"	1-1/2"	2"	2-1/2"	
610	24-13/16	11-3/8	9-3/16	28-9/1	615-1/16	21-5/16	13-3/16	16-3/4	3/4	12	17-1/4	57	2600	2400	2300	2150	2050	2
612	26-9/16	13-7/16	9-3/16	28-9/16	15-1/16	21-5/16	13-3/16	19-1/2	3/4	14	17-1/4	60	3250	3000	2850	2700	2600	2
615	36-3/4	17	12-1/2	35-7/8	20-1/16	29-1/8	16-9/16	25-15/16	1	17	21-1/8	124	5260	4850	4500	4150	3550	3
618	35-5/16	18-7/8	14	37-3/8	20-1/16	29-1/8	16-9/16	27	1	18	21-1/8	144	6700	6300	5950	5550	5200	5
620	48-9/16	24-3/4	15-3/4	46-7/16	28	40-7/8	25-1/4	32-7/16	1-3/16	21	27-11/16	278	9300	8850	8500	8000	7700	7-1/2
622	50-9/16	27-1/4	17-1/8	47-13/16	28	40-7/8	25-1/4	35-1/2	1-3/16	22-1/2	27-11/16	295	10300	9750	9200	8600	8000	7-1/2
625	53-11/16	31-1/4	19-5/8	50-5/16	28	40-7/8	25-1/4	39-5/8	1-3/16	26-3/4	27-11/16	329	14300	13400	12550	11850	11400	10

Power rating (BHP) does not include transmission losses. Performance certified is for installation type B: Free Inlet, Ducted outlet. Performance ratings do not include the effect of appurtenances (accessories).

H2O COIL Inc.

3514 Hargale Rd., Oceanside, NY 11572 Tel: (516) 256-3131 Fax: (516) 599-2000